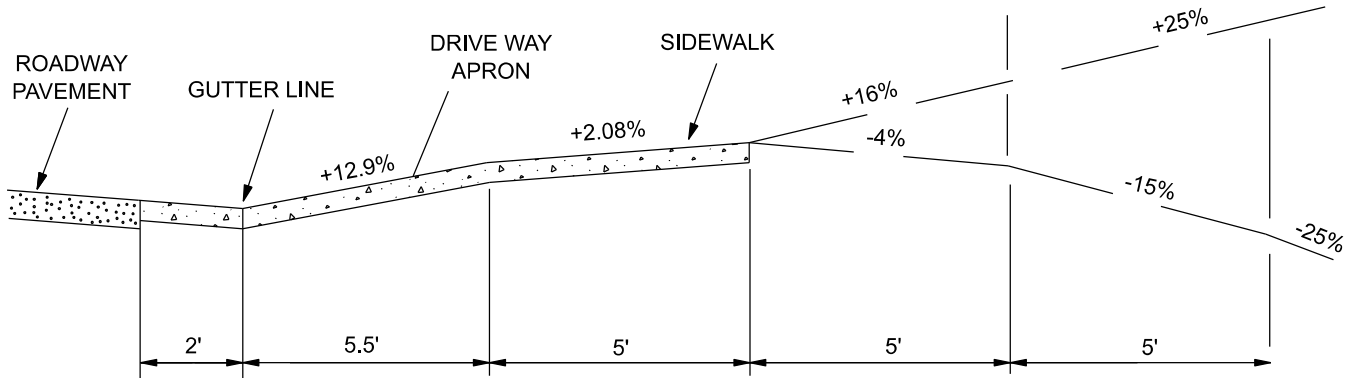


DESIRABLE DRIVEWAY GRADES



MAXIMUM GRADES



DRIVEWAY GRADES

TOWN OF GARNER, N.C.

DESIGNED BY:

TOG

APPROVED BY:

CSJ

REVISED
FEB. 2022

STD. NO.
T-4.03