

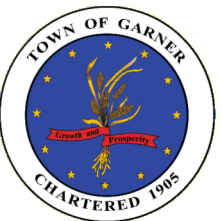
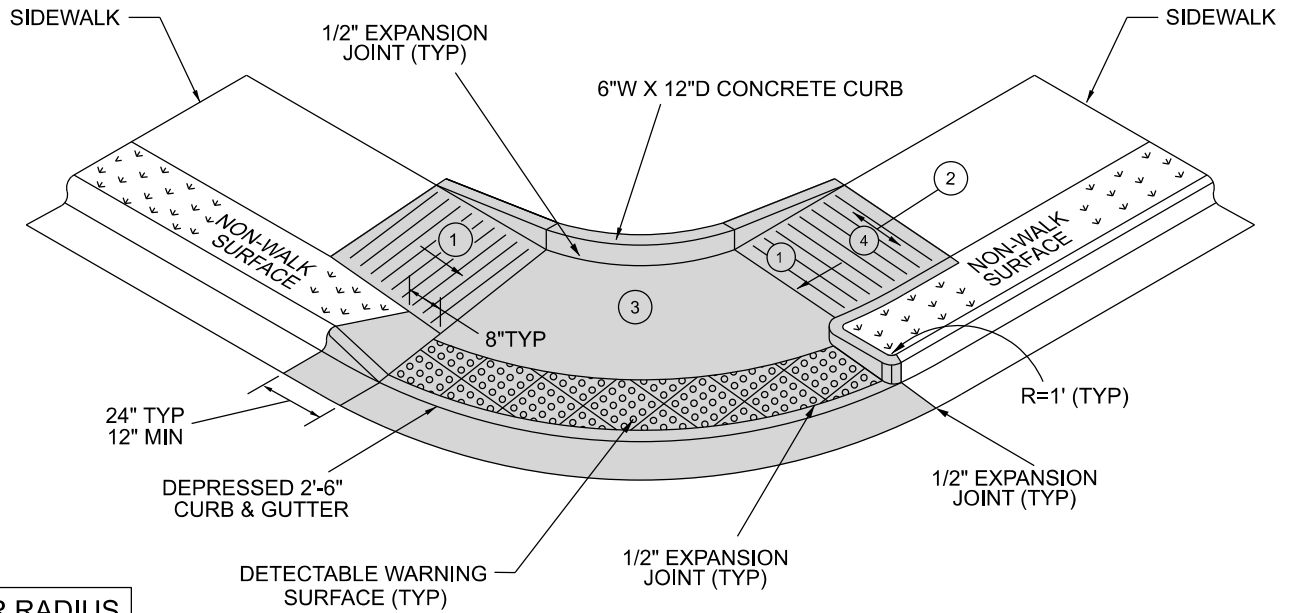
PAY LIMITS FOR CURB RAMP

CONCRETE DEPTH	
SIDE RAMPS	4"
LANDING & CURB RAMPS	6"

SMALL RADIUS
LESS THAN 15'

1. 8.33% (12:1) MAX RAMP SLOPE
2. CROSS SLOPE: 2.00%
3. CURB RAMPS REQUIRE A (4'-0") MINIMUM LANDING WITH A MAXIMUM CROSS SLOPE AND LONGITUDINAL SLOPE OF 2.00% WHERE PEDESTRIANS PERFORM TURNING MANEUVERS. SLOPE TO DRAIN TO CURB.
4. RAMPS SHALL BE INSTALLED THE SAME WIDTH AS THE SIDEWALK.

LARGER RADIUS
15' OR GREATER



CURB RAMPS - RETROFIT - SHARED FLARE

TOWN OF GARNER, N.C.

DESIGNED BY:	TOG	REVISED	FEB. 2022
APPROVED BY:	CSJ	STD. NO.	T-2.01.7