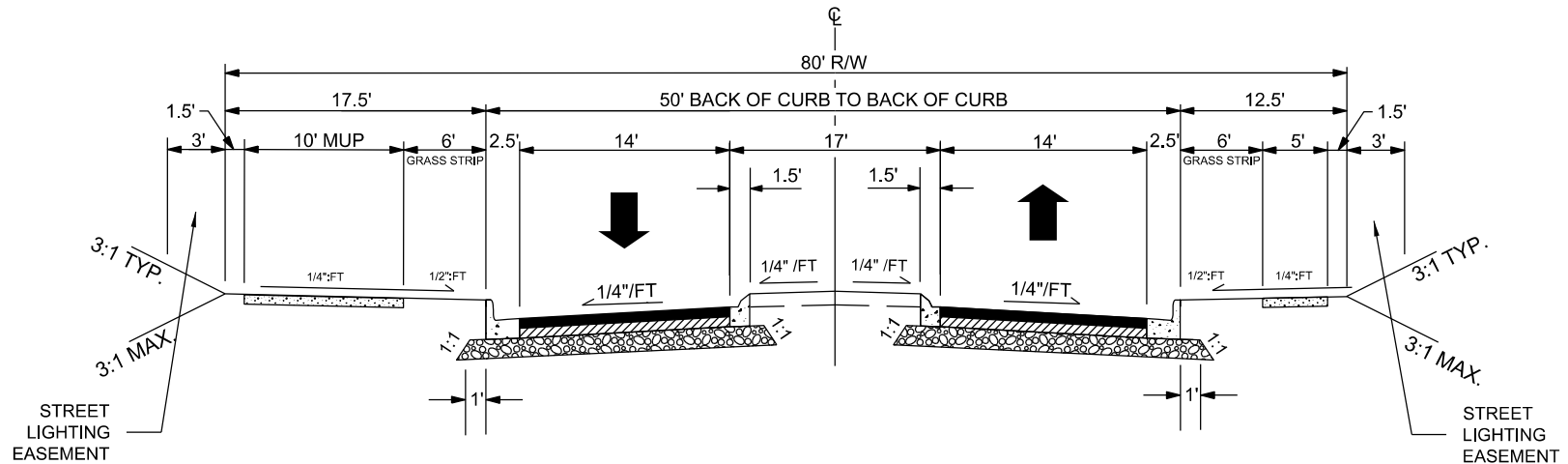
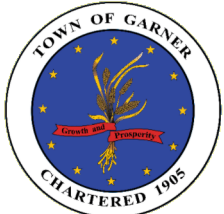


NOTE: FOR ALL SIDEWALKS,
USE 5' STANDARD WIDTH.
FOR MULTI-USE PATHS, USE
10' STANDARD WIDTH.



PAVEMENT DESIGN
 3" - S9.5B, (2-1.5" LIFTS)
 4" - I19.0C
 10" - ABC



MINOR THOROUGHFARE STREET SECTION

TOWN OF GARNER, N.C.

DESIGNED BY:
TOG

APPROVED BY:
CSJ

REVISED
FEB. 2022

STD. NO.
T-1.02