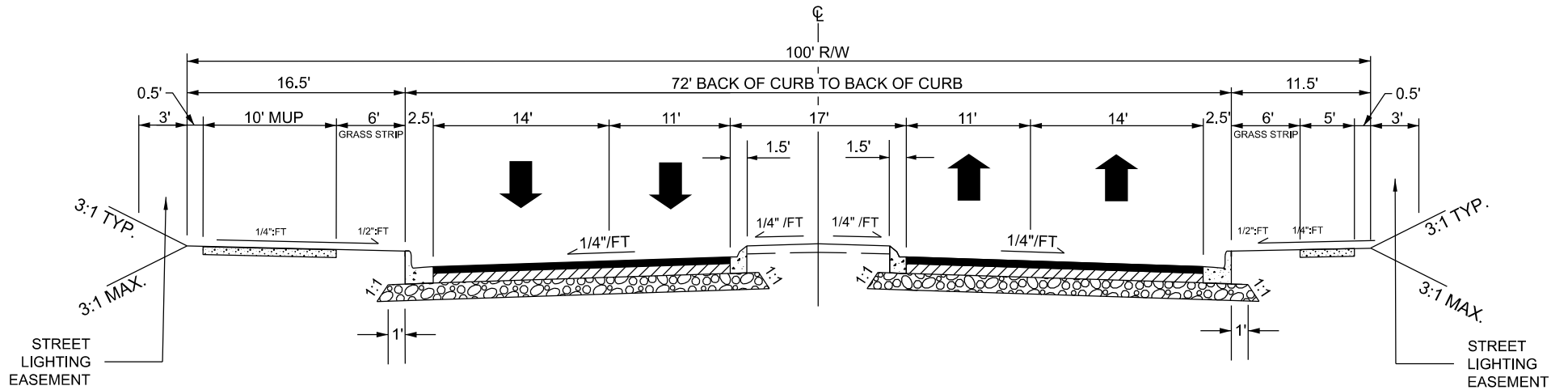


NOTE:  
 FOR ALL SIDEWALKS, USE 5'  
 STANDARD WIDTH. FOR  
 MULTI-USE PATHS, USE 10'  
 STANDARD WIDTH.



PAVEMENT DESIGN  
 3" - S9.5B, (2-1.5" LIFTS)  
 4" - I19.0C  
 10" - ABC



MAJOR THOROUGHFARE STREET SECTION

**TOWN OF GARNER, N.C.**

DESIGNED BY:  
 TOG

APPROVED BY:  
 CSJ

REVISED  
 FEB. 2022

STD. NO.  
 T-1.01