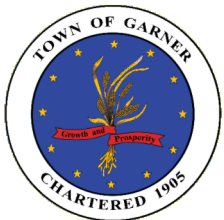
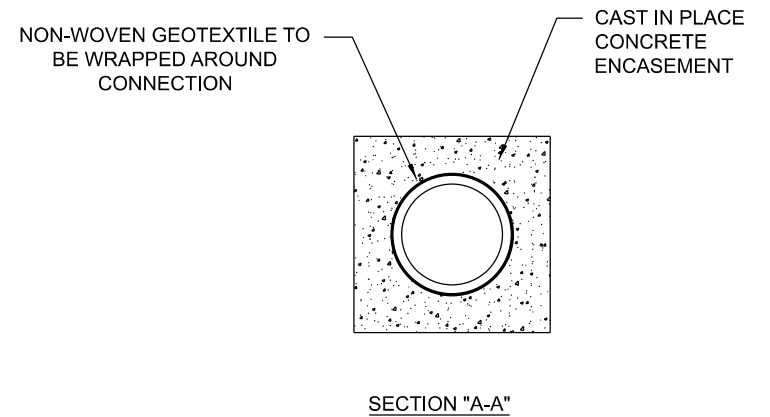
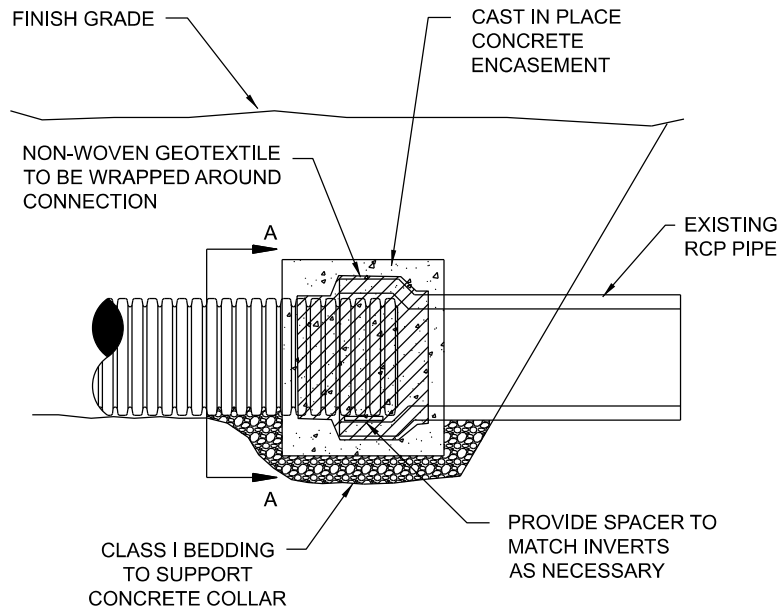
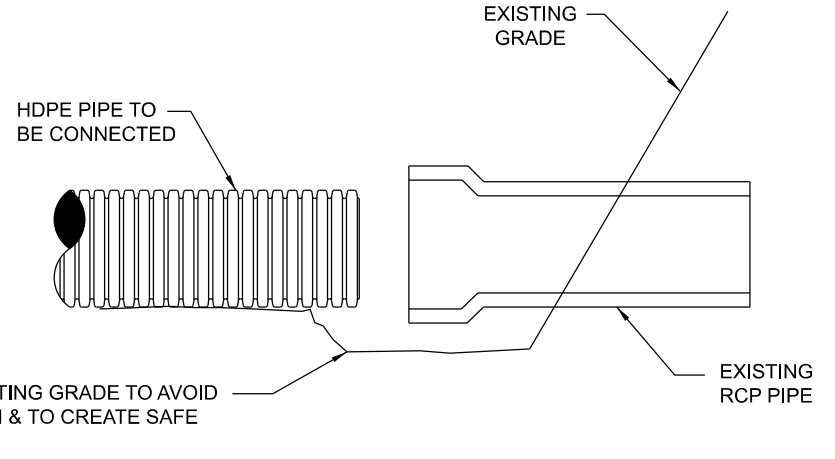


**NOTES:**

1. CONNECTION AND PIPE TO BE BACKFILLED PER ASTM D2321, LATEST EDITION.
2. IN LIEU OF AN INTERNAL CYLINDER, AN HDPE WATERTIGHT REPAIR COUPLER CAN BE USED.
3. INTERNAL CYLINDER ADAPTER IS NOT RECOMMENDED FOR DOWNSTREAM CONNECTIONS.



**DISSIMILAR PIPE CONNECTIONS TO RCP**

**TOWN OF GARNER, N.C.**

DESIGNED BY:	TOG	REVISED
APPROVED BY:	CSJ	FEB. 2022
		STD. NO.
		SW-2.03