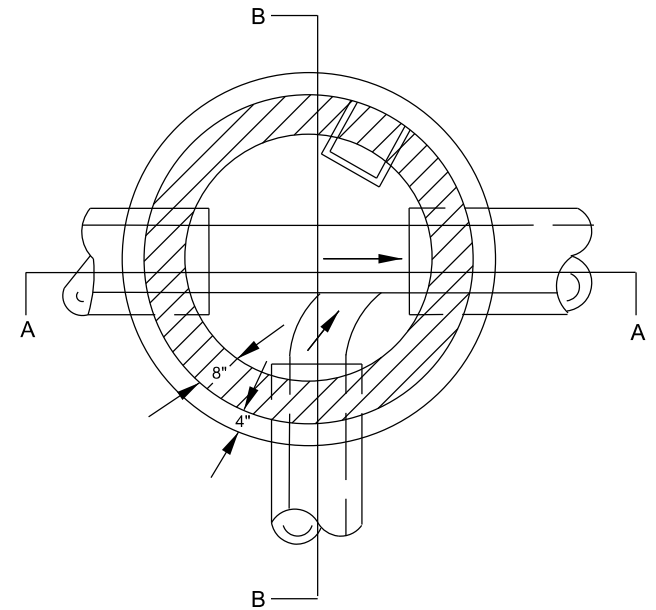


SECTION A-A

SECTION B-B

NOTES:

1. DEPTH MEASURED FROM TOP OF CASTING TO INVERT OF MANHOLE.
2. PRECAST MANHOLE COMPONENTS SHALL MEET ASTM-C-478 REQUIREMENTS.
3. DOMESTIC CASTINGS REQUIRED WITHIN STREET RIGHT-OF-WAY.



TYPICAL MH FOR STORM SEWER

PIPE SIZE	MH DIAMETER
12-24"	4'-0"
30-42"	5'-0"
48"	6'-0"
54"	8'-0"



STANDARD CLASS "A" MANHOLE

TOWN OF GARNER, N.C.

DESIGNED BY:

TOG

APPROVED BY:

CSJ

REVISED
FEB. 2022

STD. NO.
SW-1.03